



# STEEL EAGLE STAINLESS STEEL SOFT WASH REELS

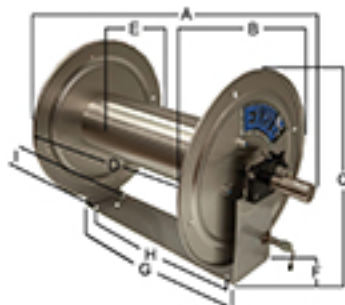


## SPECIFICATIONS

Model	Size	Hose Capacity In Feet Hose Size (I.D.)				All Dimensions In Inches									Approx. Wt. Lbs.	
		3/8"	1/2"	5/8"	3/4"	A	B	C	D	E	F	G	H	I	Net	Ship
KSE-1000-SW	18"	450'	325'	275'	225'	32.25	16.5	17.75	18	6	5	20.5	18	4	26	32
KSE-1001-SW	12"	300'	200'	175'	150'	26.25	16.5	17.75	12	6	5	14.5	12	4	22	28
KSE-1002-SW	6"	150'	100'	75'	60'	20.25	16.5	17.75	6	6	5	8.5	6	4	18	24

## Features:

- Rated to 325° F
- Full flow 1/2" 304 Stainless Steel plumbing
- 304 Stainless steel center hub and sides
- Friction brake
- Rated to 4000PSI
- All stainless steel fasteners
- 304 stainless steel frame
- Stainless steel lock pin



## A Closer Look At The Features:



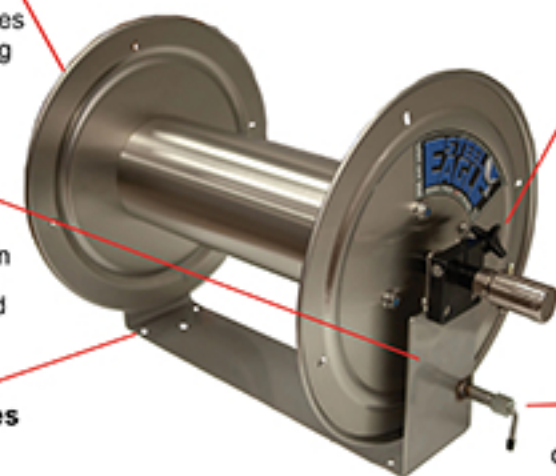
**Easy Turn Handle**  
Substantially decreases operator fatigue during operation.



**304 SS 10GA Frame**  
Provides long life and is virtually corrosion proof, saving your hard earned dollars.



**Predrilled Mounting Holes**  
Saves you time and headache when mounting your reel.



All reel parts are 304 stainless steel including the center hub. (Most other reels use a PVC center hub which get brittle and cracks/breaks in a short time.)

### Friction Brake

Save the frustration of hose backlash when unwinding.



### Heavy Duty Super Swivel

Durability equals long life and money saved. Swivel and plumbing rated to 4000PSI and 325°.



### Lock Pin

Prevents costly hose damage from unwanted unwinding.



Full flow 1/2" 304 stainless steel plumbing throughout

## Notes:

## Steel Eagle

32586 477th Ave., Elk Point, SD 57025

P: 800.447.3924

F: 605.356.2144

www.steeleagle.com

Invented, Engineered & Built With Pride in the USA

